

PCHseries

by: MASHstudios

12705 Venice Boulevard
Los Angeles, CA 90066
USA

p 310.313.4700
info@laxseries.com
www.laxseries.com

The PCH dining table brings people together. The beautifully crafted solid wood table top, and chunky quarter round legs, really adds a presence to the room. Add the sturdy solid wood benches to complete the dining set.



PCH Dining Table

description:

solid wood dining table. quarter round legs

dimensions:

72" L x 36" D x 29" H

materials:

solid teak, natural oil finish

other:

Minor assembly required.



PCH Bench

description:

solid wood bench. quarter round legs

dimensions:

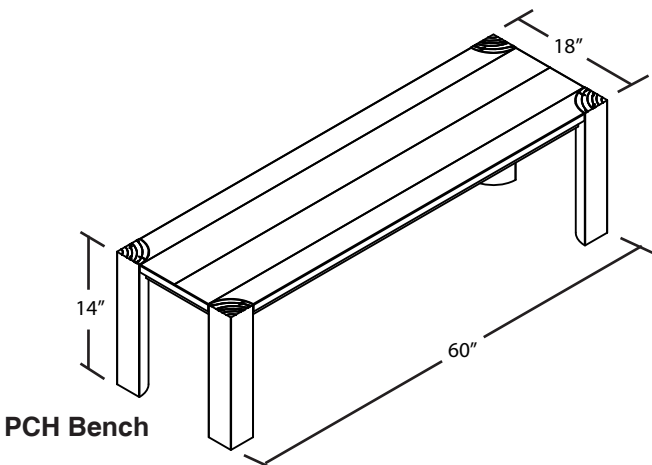
60" L x 18" D x 18" H

materials:

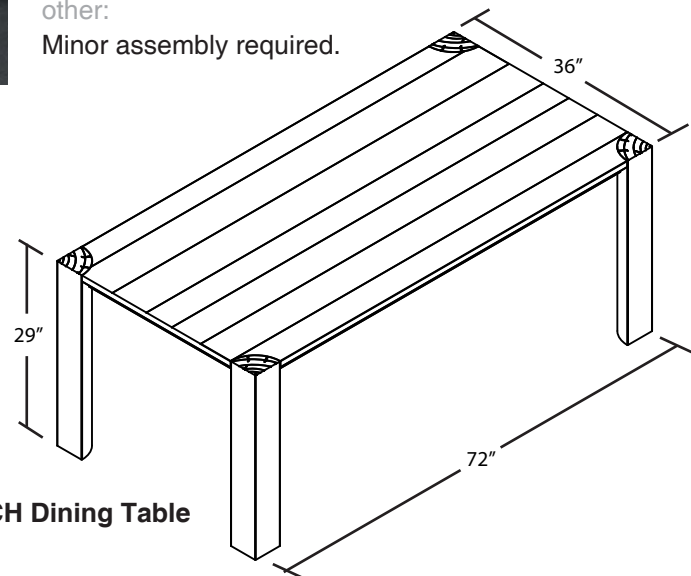
solid teak, natural oil finish

other:

Minor assembly required.



PCH Bench



PCH Dining Table